

  
KENAN METAL

  
ARTMINYUM®



## RÜZGAR KIRICI SİSTEMLERİ

WIND BREAKER  
SYSTEMS

# RÜZGAR KIRICI SİSTEMLERİ

## WIND BREAKER SYSTEMS



RÜZGAR KIRICI SİSTEMLERİ GENELLİKLE DAYANIKLI VE UZUN ÖMÜRLÜDÜR. RÜZGAR, YAĞMUR, KAR VE DİĞER HAVA KOŞULLARINA KARŞI DAYANIKLI OLMALARIYLA BİLİNİRLER

ALÜMİNYUM RÜZGAR KIRICILAR GENELLİKLE DÜŞÜK BAKIM GEREKTİRİR. PASLANMAZLAR VE ÇÜRÜMEZLER. BU DA ONLARI BAKIM AÇISINDAN KOLAY HALE GETİRİR.

İŞLEVSEL OLARAK RÜZGAR KIRICILAR, RÜZGARI KESEREK İNSANLARIN DAHA KONFORLU VAKİT GEÇİRMELERİNE OLANAK SAĞLARLAR.

WIND BREAKER SYSTEMS ARE GENERALLY DURABLE AND LONG-LASTING. THEY ARE KNOWN FOR THEIR RESISTANCE TO WIND, RAIN, SNOW, AND OTHER WEATHER CONDITIONS.

ALUMINUM WIND BREAKERS TYPICALLY REQUIRE LOW MAINTENANCE. THEY ARE RUSTPROOF AND CORROSION-RESISTANT, MAKING THEM EASY TO MAINTAIN.

FUNCTIONALLY, WIND BREAKERS CUT THE WIND, ALLOWING PEOPLE TO SPEND MORE COMFORTABLE TIME.



*Outdoor Of Art*  
Dış Mekanda Sanat



RAL RENK STANDARTINA GÖRE SEÇTİĞİNİZ TÜM RENKLER UYGULANABİLİR.

COLOURING OF YOUR CHOICE, ACCORDING TO THE RAL COLOUR STANDARD.



YAĞMUR VE RÜZGAR GİBİ HAVA ŞARTLARINA SON DERECE DAYANIKLIDIR.

IT IS EXTREMELY RESISTANT TO WEATHER CONDITIONS SUCH AS RAIN AND WIND.



MATERYAL // 6063 T5 ALÜMİNYUM, PASLANMAZ ÇELİK VE DERLİN.

MATERIALS // 6063 T5 ALUMINUM, STAINLESS STEEL AND DERLIN.

RÜZGAR KIRICI SİSTEMLER, ENERJİ TASARRUFUNA KATKIDA BULUNUR. RÜZGAR BASINCINI AZALTARAK, BİNANIN ISITMA VE SOĞUTMA SİSTEMLERİNİN DAHA VERİMLİ ÇALIŞMASINA YARDIMCI OLURLAR.

RÜZGAR KIRICI SİSTEMLER MODERN VE ŞİK GÖRÜNÜME SAHİPTİR. GENELLİKLE DIŞ MEKANLARDA KULLANILIRLAR. YAPIYA ZARIF BİR DOKUNUŞ KATARAK MEKANIN ESTETİĞİNİ ARTIRIRLAR.

GENEL OLARAK RÜZGAR KIRICILAR, BİNA KONFORUNU ARTIRMAK, ENERJİ TASARRUFU SAĞLAMAK VE YAPISAL BÜTÜNLÜĞÜ KORUMAK İÇİN KULLANILAN ETKİLİ BİR ÇÖZÜMDÜR.

WIND BREAKER SYSTEMS CONTRIBUTE TO ENERGY SAVINGS. BY REDUCING WIND PRESSURE, THEY HELP THE HEATING AND COOLING SYSTEMS OF BUILDINGS OPERATE MORE EFFICIENTLY.

WIND BREAKER SYSTEMS HAVE A MODERN AND STYLISH APPEARANCE. THEY ARE COMMONLY USED IN OUTDOOR SETTINGS. BY ADDING A GRACEFUL TOUCH, THEY ENHANCE THE AESTHETICS OF THE SPACE.

GENERALLY, WIND BREAKERS ARE AN EFFECTIVE SOLUTION USED TO ENHANCE BUILDING COMFORT, ACHIEVE ENERGY SAVINGS, AND MAINTAIN STRUCTURAL INTEGRITY.



Aluminum Profile Systems

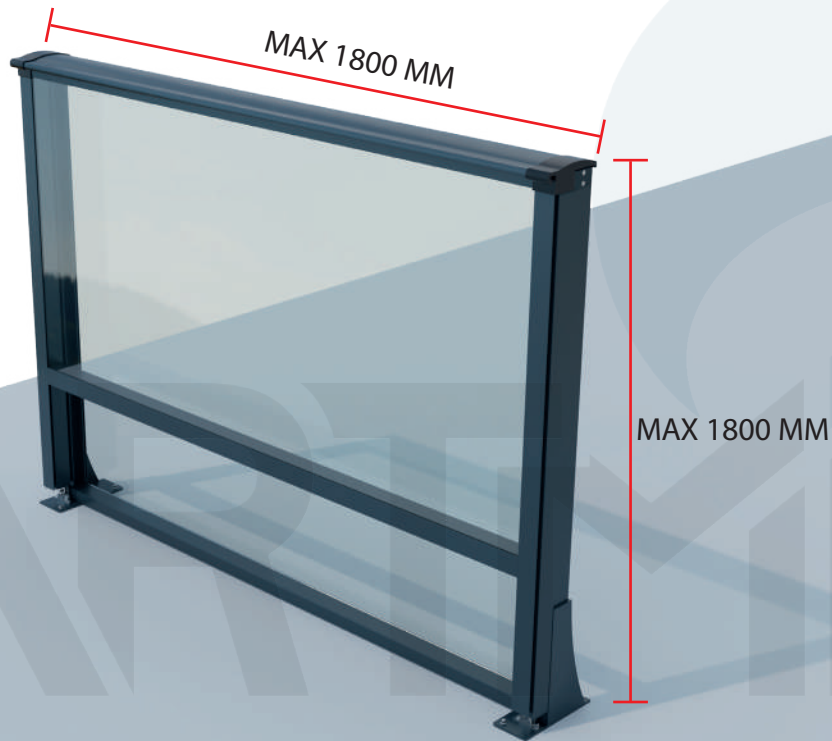


# Aluminum Profile Systems



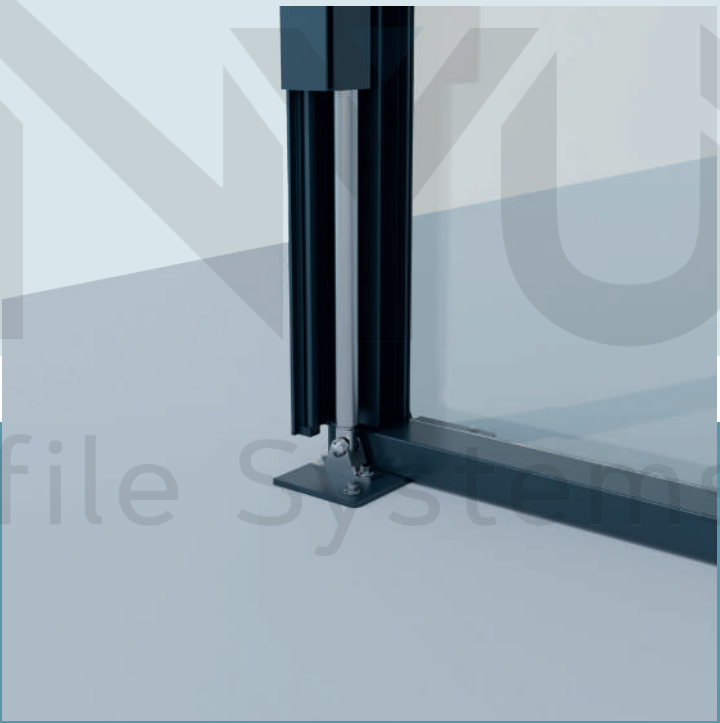
MRIT

Aluminum Profile Systems



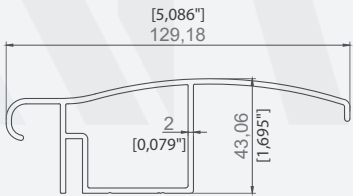
Aluminum Profile Systems





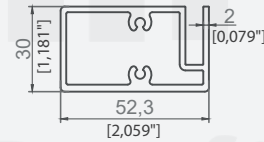
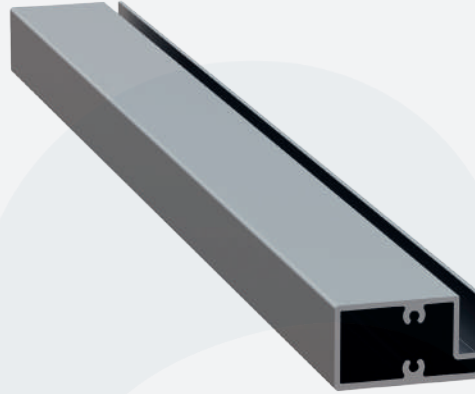
ARMINUM<sup>®</sup>

Aluminum Profile Systems



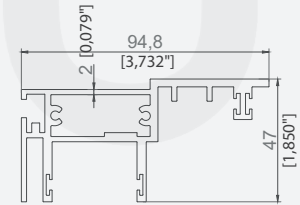
**KÜPEŞTE PROFİLİ**  
HANDRAIL PROFILE

ÜRÜN KODU / PRODUCT CODE	3040
AĞIRLIK / WEIGHT	1,572 KG/M 3,466 LB/M



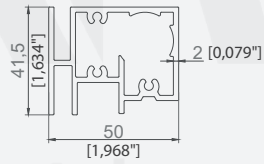
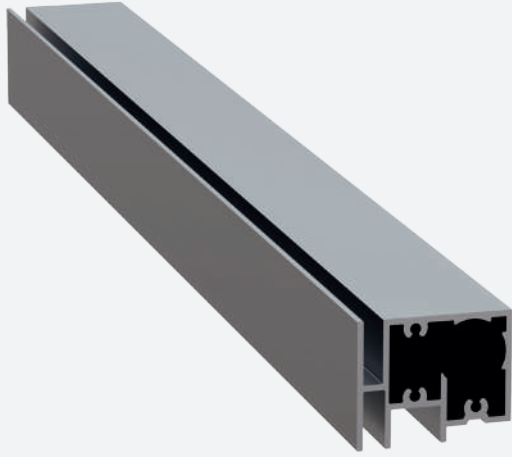
**CAM PANEL ALT PROFİLİ**  
GLASS PANEL BOTTOM PROFILE

ÜRÜN KODU / PRODUCT CODE	3042
AĞIRLIK / WEIGHT	1,210 KG/M 2,667 LB/M



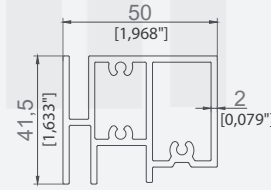
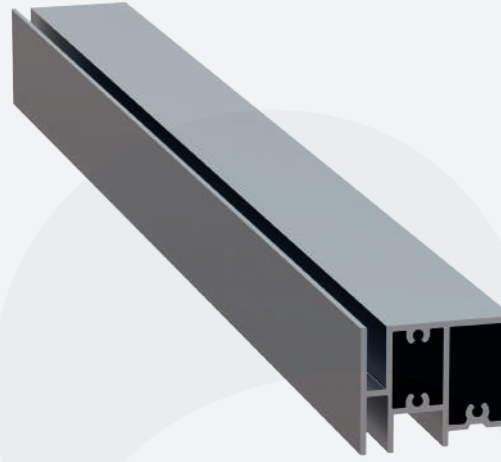
**SABİT PANEL DİKME PROFİLİ**  
FIXED PANEL PILLAR PROFILE

ÜRÜN KODU / PRODUCT CODE	3039
AĞIRLIK / WEIGHT	2,110 KG/M 4,652 LB/M



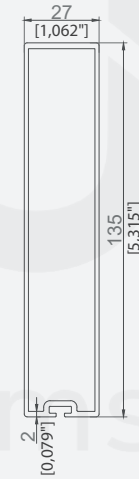
**PİSTONLU DİKME PROFİLİ**  
PILLAR PROFILE WITH PISTON

ÜRÜN KODU / PRODUCT CODE	3043
AĞIRLIK / WEIGHT	1,390 KG/M 3,064 LB/M



**HAREKETLİ CAM YAN PROFİLİ**  
MOVABLE GLASS SIDE PROFILE

ÜRÜN KODU / PRODUCT CODE	3041
AĞIRLIK / WEIGHT	1,450 KG/M 3,197 LB/M



**AĞIRLIK PROFİLİ**  
WEIGHT PROFILE

ÜRÜN KODU / PRODUCT CODE	3492
AĞIRLIK / WEIGHT	1,415 KG/M 3,119 LB/M



RÜZGAR KIRICI  
AKSESUAR TAKIMI(PİSTONLU)  
KOD : RK-1

WIND BREAKER ACCESSORIES  
SET(WITH PISTON)  
CODE : RK-1



ZEMİN BAĞLANTI APARATI  
GROUND CONNECTION APPARATUS

KOD / CODE RK-1  
ADET / PIECE 2



PİSTON SABİTLEME APARATI  
PISTON FIXING APPARATUS

KOD / CODE RK-1  
ADET / PIECE 2



BAĞLANTI SABİTLEME APARATI  
CONNECTION FIXING APPARATUS

KOD / CODE RK-1  
ADET / PIECE 2



M6 SOMUN  
M6 NUT

KOD / CODE RK-1  
ADET / PIECE 2



SABİT DİKME PLASTİK KLAVUZU  
FIXED SEWING PLASTIC GUIDE

KOD / CODE RK-1  
ADET / PIECE 1 SET



HAREKETLİ SİSTEM KİLİTLEME APARATI  
MOVABLE SYSTEM LOCKING DEVICE

KOD / CODE RK-1  
ADET / PIECE 1



HAREKETLİ SİSTEM EMNİYET KİLİDİ  
MOVABLE SYSTEM SAFETY LOCK

KOD / CODE RK-1  
ADET / PIECE 2



SABİT YATAY DİKME KAPAK  
FIXED HORIZONTAL SEWING COVER

KOD / CODE RK-1  
ADET / PIECE 4



RÜZGAR KIRICI KÜPEŞTE KAPAK  
WIND BREAKER COVER

KOD / CODE RK-1  
ADET / PIECE 2



3,9X16 MM YHB AKILLI VİDA  
3,9X16 MM SHBS SMART SCREW

KOD / CODE RK-1  
ADET / PIECE 20



3,9X25 MM YHB AKILLI VİDA  
3,9X25 MM SHBS SMART SCREW

KOD / CODE RK-1  
ADET / PIECE 4



3,9X38 MM YHB AKILLI VİDA  
3,9X38 MM SHBS SMART SCREW

KOD / CODE RK-1  
ADET / PIECE 8



3,9X32 MM YHB AKILLI VİDA  
3,9X32 MM SHBS SMART SCREW

KOD / CODE RK-1  
ADET / PIECE 6



3,9X50 MM YHB AKILLI VİDA  
3,9X50 MM SHBS SMART SCREW

KOD / CODE RK-1  
ADET / PIECE 16



RÜZGAR KIRICI  
PİSTON  
KOD : RK-3

WIND BREAKER  
PISTON  
CODE : RK-3



GAZLI PİSTON  
GAS PISTON

KOD / CODE  
ADET / PIECE

RK-3  
2



ZEMİN BAĞLANTI APARATI  
GROUND CONNECTION APPARATUS

KOD / CODE  
ADET / PIECE

RK-3  
2



SABİT YATAY DİKME KAPAK  
FIXED HORIZONTAL SEWING COVER

KOD / CODE  
ADET / PIECE

RK-3  
2 set



RÜZGAR KIRICI KÜPEŞTE KAPAK  
WIND BREAKER COVER

KOD / CODE  
ADET / PIECE

RK-3  
2



SABİT DİKME PLASTİK KLAVUZU  
FIXED SEWING PLASTIC GUIDE

KOD / CODE  
ADET / PIECE

RK-3  
4



TEL KİLİT  
WIRE LOCK

KOD / CODE  
ADET / PIECE

RK-3  
4



RÜZGAR KIRICI  
AKSESUAR  
TAKIMI(MANUEL)  
KOD : RK-2

WIND BREAKER  
ACCESSORIES  
SET(MANUEL)  
CODE : RK-2



ÇELİK TEL  
STEEL WIRE

KOD / CODE  
ADET / PIECE

RK-3  
1 SET



AVARE RULMAN  
WANDERING BEARING

KOD / CODE  
ADET / PIECE

RK-3  
2 SET



3,9X16 MM YHB AKILLI VİDA  
3,9X16 MM SHBS SMART SCREW

KOD / CODE  
ADET / PIECE

RK-1  
20



3,9X25 MM YHB AKILLI VİDA  
3,9X25 MM SHBS SMART SCREW

KOD / CODE  
ADET / PIECE

RK-1  
4



3,9X38 MM YHB AKILLI VİDA  
3,9X38 MM SHBS SMART SCREW

KOD / CODE  
ADET / PIECE

RK-1  
8



3,9X32 MM YHB AKILLI VİDA  
3,9X32 MM SHBS SMART SCREW

KOD / CODE  
ADET / PIECE

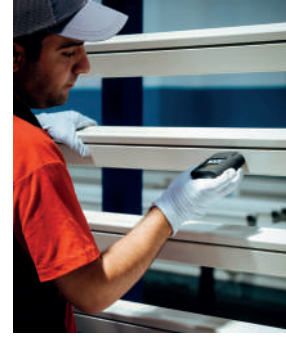
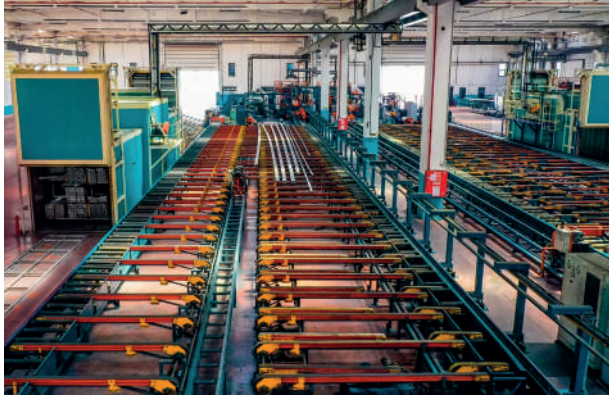
RK-1  
6



3,9X50 MM YHB AKILLI VİDA  
3,9X50 MM SHBS SMART SCREW

KOD / CODE  
ADET / PIECE

RK-1  
16



## Biz kimiz ?

ÜSTÜN KALİTELİ ALÜMİNYUM PROFİL ÜRETİMİNİ HER GEÇEN GÜN ARTAN STANDARTLARLA DEVAM ETTİREN KENAN METAL A.Ş. ÜLKEMİZİN ÖNDE GELEN ALÜMİNYUM FABRİKALARINDAN BİRİDİR. MUTLAK MÜŞTERİ VE ÇALIŞAN MEMNUNİYETİ PRENSİBİYLE ÜRETİM YAPAN KENAN METAL A.Ş., TENTE PERGOLA, İNŞAAT VE ÖZEL PROFİLLER GİBİ FARKLI SEKTÖRLERİN MEVCUT VE GELECEKTEKİ BEKLENTİLERİNİ KARŞILAYAN, ÇEVREYLE DOST ÜRETİM SİSTEMLERİNİ BENİMSEYEN, KÜRESEL ETKİLEŞİMLERİ YAKINDAN TAKİP EDEREK SÜREKLİ YENİLENEN, ÇAĞDAŞ BİR VİZYONLA GELİŞİYOR. ÜRÜN-KALİTE ÇİTASININ SÜREKLİ YÜKSEKİLMESİ, ÜRÜN YELPAZESİNİN GELİŞTİRİLMESİ, YENİ ÜRÜNLERİN TASARIMI, KULLANIM ALANLARININ ARTTIRILMASI İÇİN SÜREKLİ OLARAK ÇALIŞAN AR-GE BÖLÜMÜYLE GÖZ DOLDURAN KENAN METAL A.Ş., KALİTESİ GÜVENİLİRLİĞİ, KULLANDIĞI TEKNOLOJİ VE ÖZEL ÇÖZÜMLER ÜRETME GÜCÜYLE PAZAR PAYINI SÜREKLİ GENİŞLETİYOR.

KENAN METAL A.Ş., ALÜMİNYUM BAZLI ÜRÜNLERİN KALİTELERİNİ ARTTIRARAK VE KULLANIM ALANLARINI YAYGINLAŞTIRARAK DOĞAL VE ESTETİK MEKANLARIN YARATILMASINA DA ÖNCÜLÜK EDİYOR. HER YAPI İÇİN KENDİNE ÖZGÜ ÜSTÜN NİTELİKLİ VE İLERİ TEKNOLOJİ GEREKTİREN ÇAĞDAŞ ÇÖZÜMLER SUNAN KENAN METAL A.Ş., ESNEK YAKLAŞIMLARI ÜSTÜN HİZMET KALİTESİ VE FİYAT-KALİTE DENGESİYLE KÜRESEL PAZARDA SÖZ SAHİBİ BİR KURUM OLMA YOLUNDA EMİN ADIMLARLA İLERLİYOR.

## WHO ARE WE?

KENAN METAL IS ONE OF THE LEADING ALUMINUM FACTORIES OF OUR COUNTRY WHICH CONTINUES TO PRODUCE HIGH QUALITY ALUMINUM PROFILES WITH INCREASING STANDARDS EACH PASSING DAY. KENAN METAL WHICH MAKES PRODUCTION WITH ABSOLUTE CUSTOMER AND EMPLOYEE SATISFACTION PRINCIPLE, DEVELOPS WITH A MEDERN VISION THAT MEETS CURRENT AND FUTURE EXPECTATIONS OF DIFFERENT SECTORS SUCH AS AWNING PERGOLA, CONSTRUCTION AND SPECIAL PROFILES, ADOPTS ENVIRONMENTALLY FRIENDLY PRODUCTION SYSTEMS, RENEWS ITSELF CONSTANTLY BY FOLLOWING GLOBAL INTERACTIONS CLOSELY.

KENAN METAL WHICH MAKES A STRONG IMPRESSION WITH ITS R&D DEPARTMENT WORKING CON STANTLY FOR RAISING PRODUCT-QUALITY LEVEL, IMPROVING PRODUCT RANGE, DESIGNING NEW PRODUCTS, INCREASING USAGE AREAS, EXPANDS ITS MARKET SHARE CONSTANTLY WITH ITS QUALITY, CREDIBILITY TECHNOLOGY USED AND POWER TO PRODUCE SPECIAL SOLUTIONS KENAN METAL IS ALSO LEADING CREATION OF NATURAL AND AESTHETIC SPACES BY INCREASING QUALITY OF ALUMINUM-BASED PRODUCTS AND EXPANDING USAGE AREAS. KENAN METAL WHICH OFFERS ITS UNIQUE, SUPERIOR AND MODERN SOLUTIONS REQUIRING ADVANCED TECHNOLOGY FOR EVERY STRUCTURE, IS MOVING CONFIDENTLY ON ITS WAY TO BECAME A PROMISING COMPANY IN GLOBAL MARKET WITH ITS FLEXIBLE APPROACHES, SUPERIOR SERVICE QUALITY AND PRICE-QUALITY BALANCE.



**KENAN METAL®**





KENANMETAL.COM | INFO@KENANMETAL.COM | +90 212 485 60 35

GENEL MERKEZ : İOSB MH. ATATÜRK BLV. MAHMUT TORUN İŞ MERKEZİ NO: 54 KAT:1 34490 İKİTELLİ OSB / BAŞAKŞEHİR / İSTANBUL  
FABRİKA : VELİMEŞE MAHALLESİ, KANDİL CADDESİ, 329 SOKAK, DIŞ KAPI NO:7 ERGENE / TEKİRDAĞ

