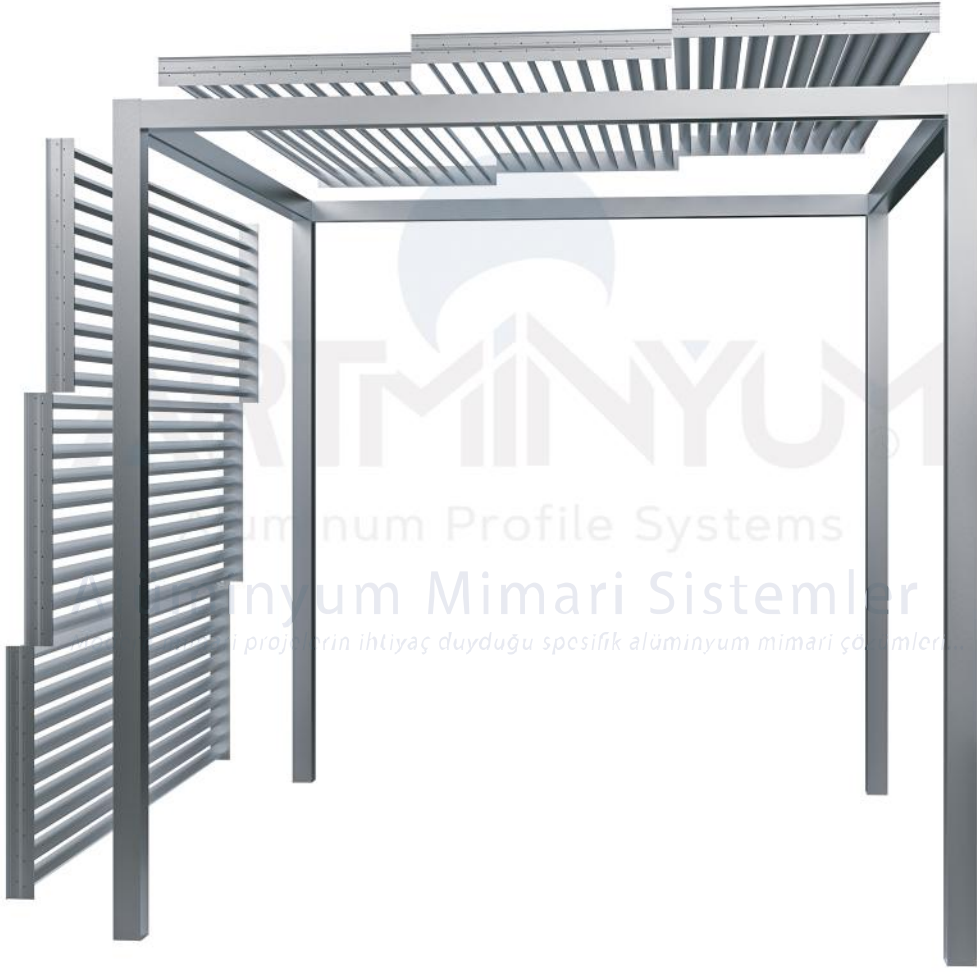


Alüminyum'un Sanata Dönüşümü...

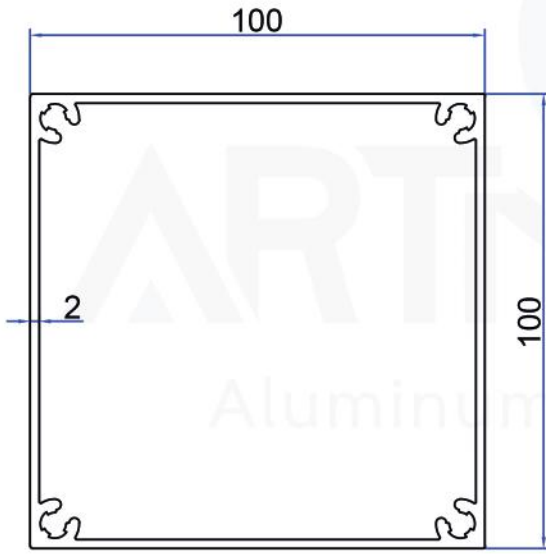


CABANA SİSTEM PROFİLLERİ
CABANA SYSTEM PROFILES

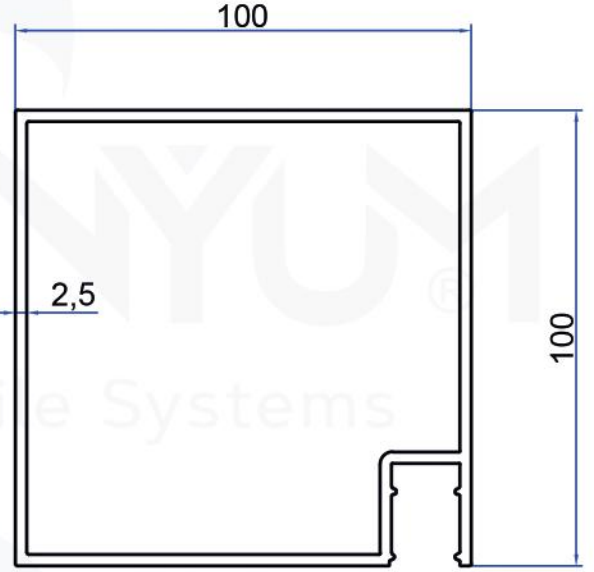
www.kenanmetal.com



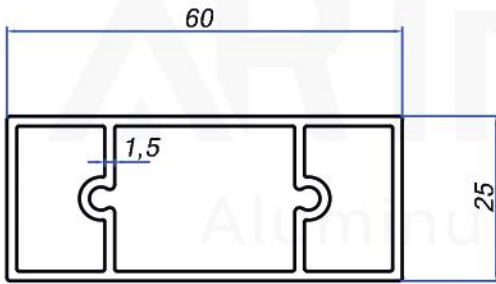
CABANA SİSTEM PROFİLLERİ
CABANA SYSTEM PROFILES



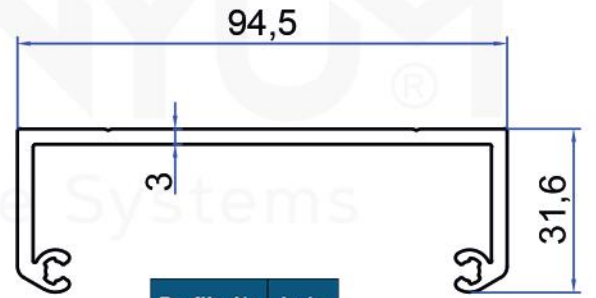
| Profile No | kg/m |
|-------------|-------|
| 6565 | 2,463 |



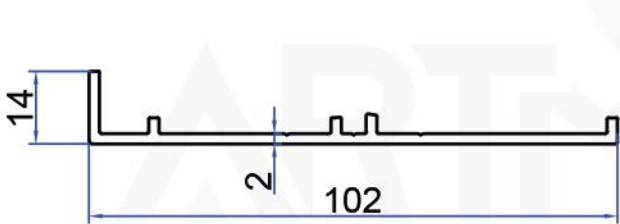
| Profile No | kg/m |
|-------------|-------|
| 3325 | 2,799 |



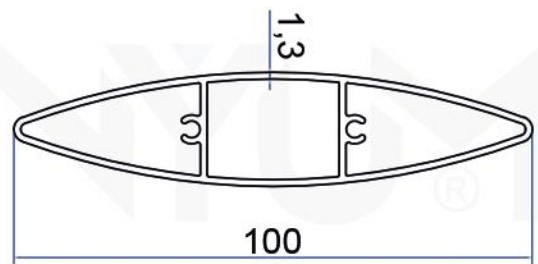
| Profile No | kg/m |
|-------------|-------|
| 3324 | 0,894 |



| Profile No | kg/m |
|-------------|-------|
| 3322 | 1,355 |



| Profile No | kg/m |
|-------------|-------|
| 3323 | 0,686 |



| Profile No | kg/m |
|-------------|-------|
| 2398 | 0,908 |



100x100 DİKME
100X100 SEWING

Product Code: 6565

Weight kg/m: 2,463
(100 x 100 x 2mm)

Aluminum Profile Systems



100x100 LEDLİ DİKME
100X100 LED SEWING

Product Code: 3325

Weight kg/m: 2,799
(100 x 100 x 2,5mm)

Aluminum Profile Systems



DİKME BAĞLANTI PROFİLİ
SEWING CONNECTION PROFILE

Product Code: 3322

Weight kg/m: 1,355
(94,5 x 31,6 x 3mm)

Aluminum Profile Systems



PANEL BAĞLANTI PROFİLİ
PANEL CONNECTION PROFILE

Product Code: 3323

Weight kg/m: 0,686
(102 x 14 x 2mm)

Aluminum Profile Systems



DÜZ PANEL PROFİLİ
FLAT PANEL PROFILE

Product Code: 3324

Weight kg/m: 0,894
(60 x 25 x 1,5mm)

Aluminum Profile Systems



GÜNEŞ KIRICI PROFİLİ
SOLAR BREAKER PROFILE

Product Code: 2398

Weight kg/m: 0,908
(100x 94,5 x 1,3mm)

Aluminum Profile Systems



Tekli Dikme Bağlantı Sacı
Single Sewing Connecting Sheet

Code: CBN-1



İkili Dikme Bağlantı Sacı
Dual Sewing Connection Sheet

Code: CBN-2



Dörtlü Dikme Bağlantı Sacı
Quad Sewing Connecting Sheet

Code: CBN-3



Sistem Bağlantı Aparatı
System Connection Apparatus

Code: CBN-4



Dikme Ayak Sacı
Sewing Foot Sheet

Code: CBN-5



6.3x32 Akıllı Vida
6.3x132 Smart Screw

Code : CBN-6



M6x16 İmbus Civata
M6x16 Imbus Bolt

Code : CBN-7



M6 Fiberli Somun
M6 Fiber Nut

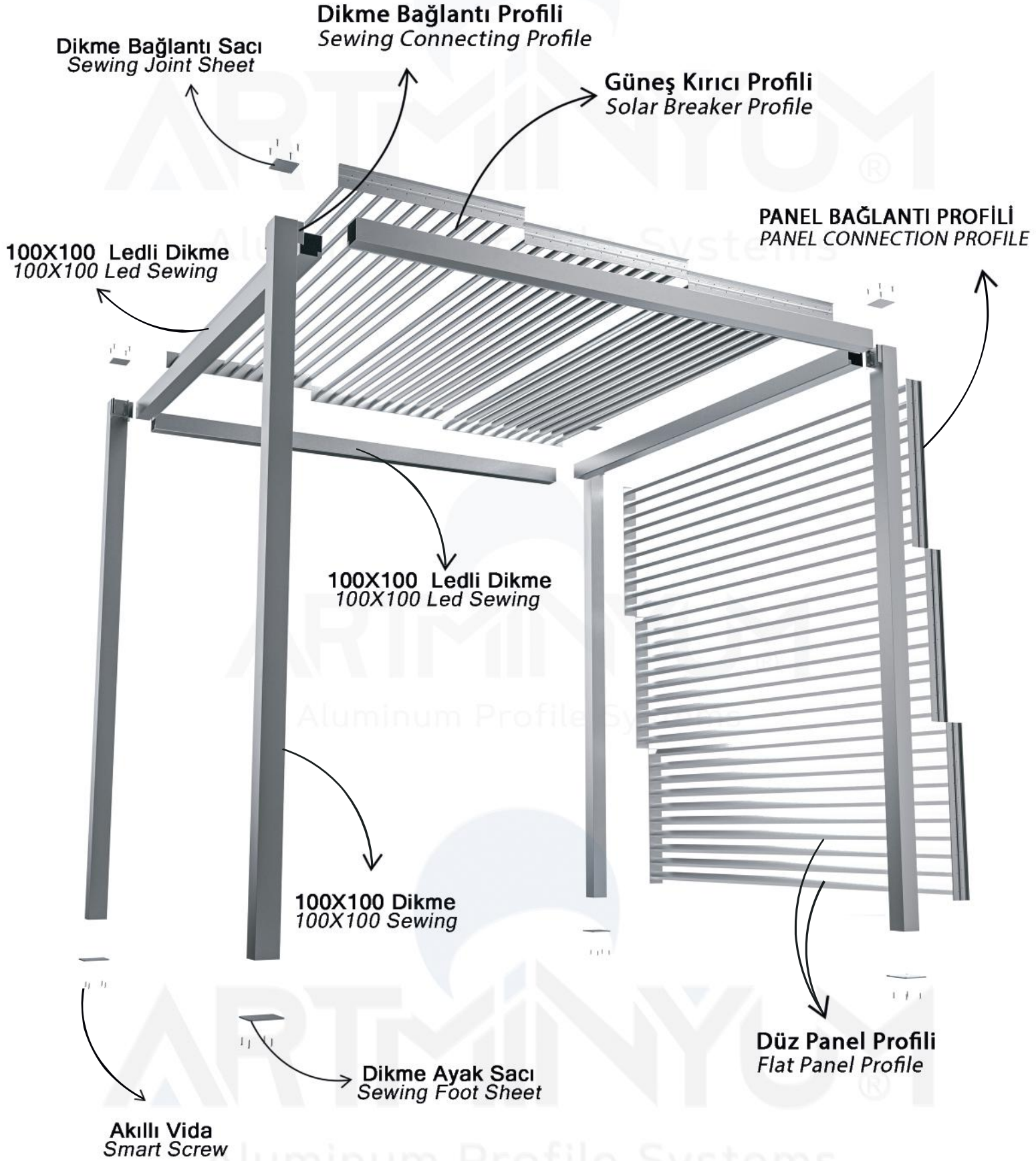
Code: Roll-01-29



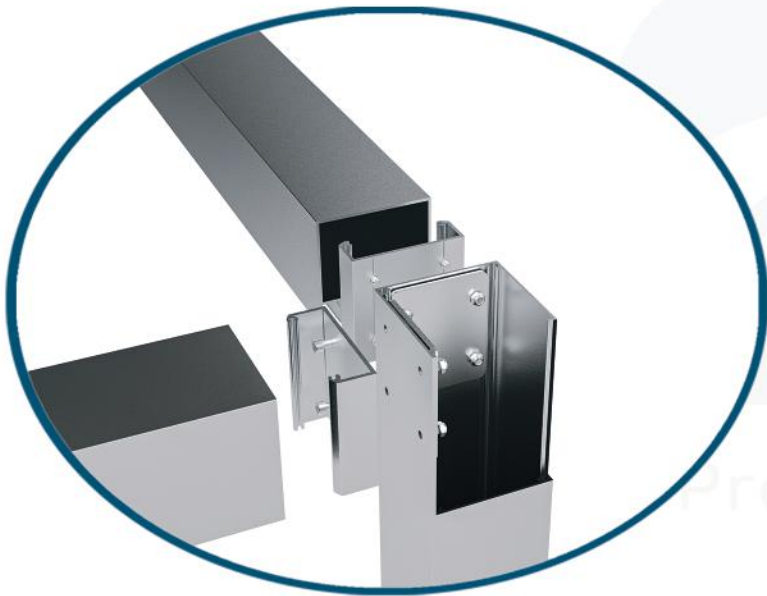
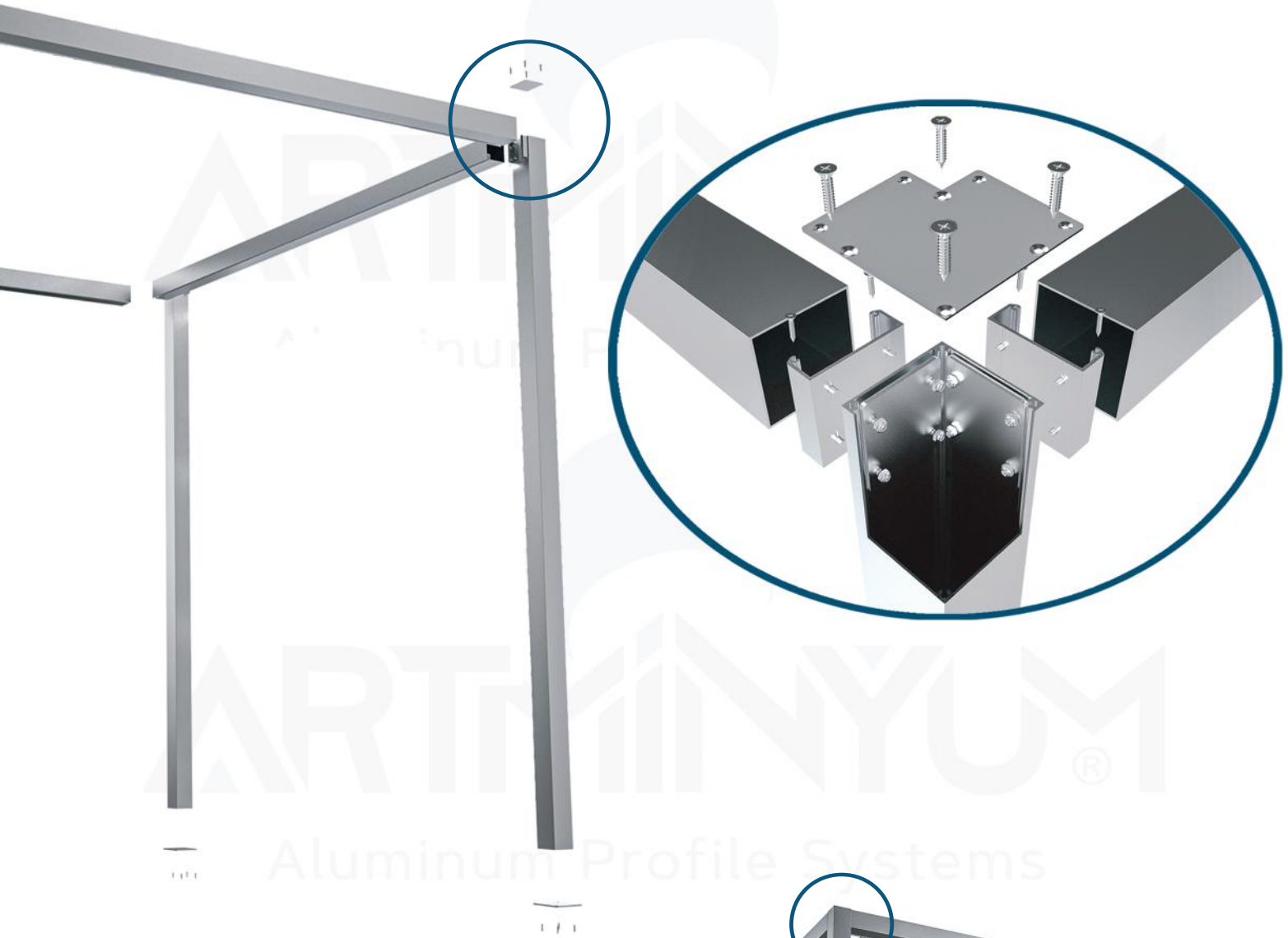
3.9x16 Akıllı Vida
3.9x16 Smart Screw

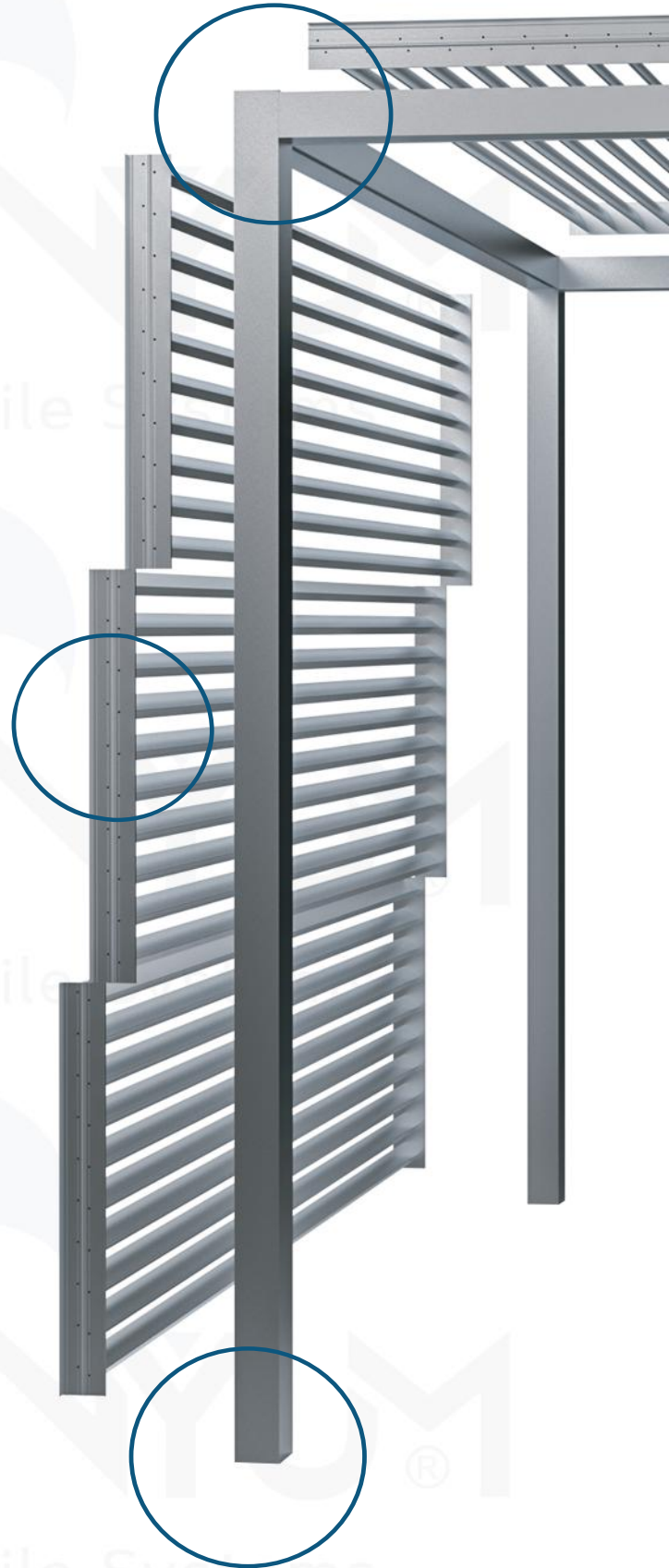
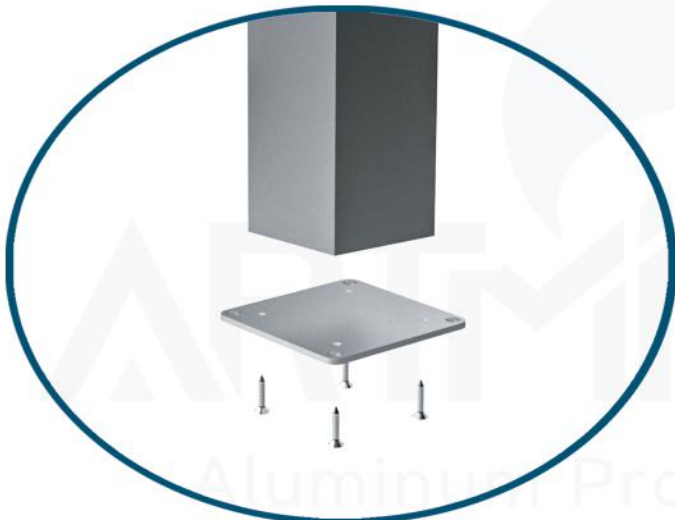
Code : CBN-8

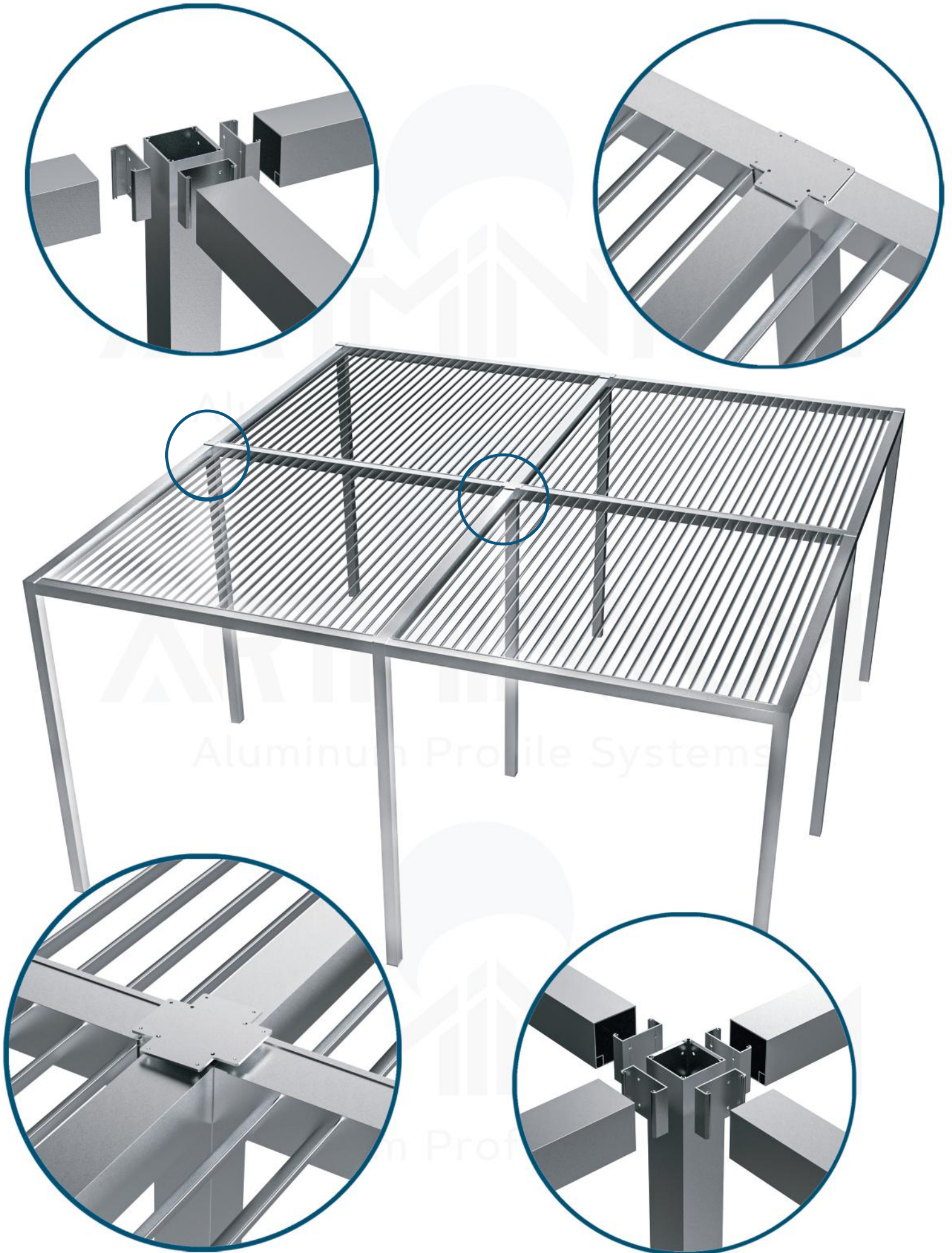
CABANA SİSTEM PROFİLLERİ
CABANA SYSTEM PROFILES



CABANA SİSTEM PROFİLLERİ
CABANA SYSTEM PROFILES







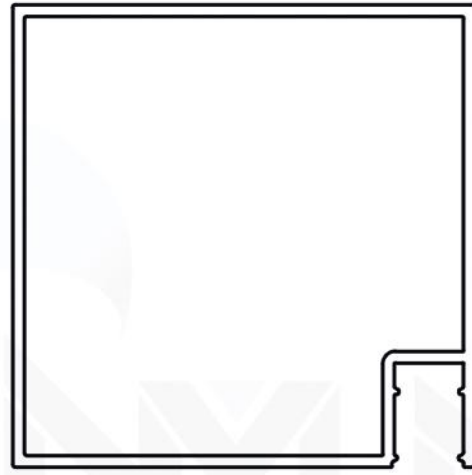
ARTMINYUM®

Aluminum Profile Systems





KENAN METAL



KENAN METAL ALÜMİNYUM PROFİL A.Ş.



Merkez: Atatürk Bulvarı Mahmut Torun Plaza No:54
Dış Kapı No: 2/7 **İç Kapı No:**2 Başakşehir / İSTANBUL
Tel: +90 212 485 60 35 **Fax:** +90 212 485 60 46
Fabrika: Velimeşe Mah. Kandil Cad. 329 Sk. No:7 Ergene / Tekirdağ